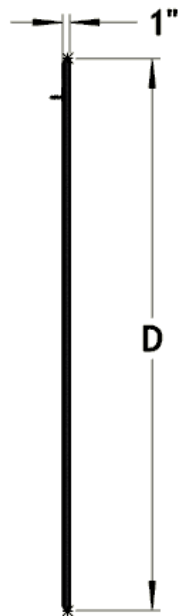
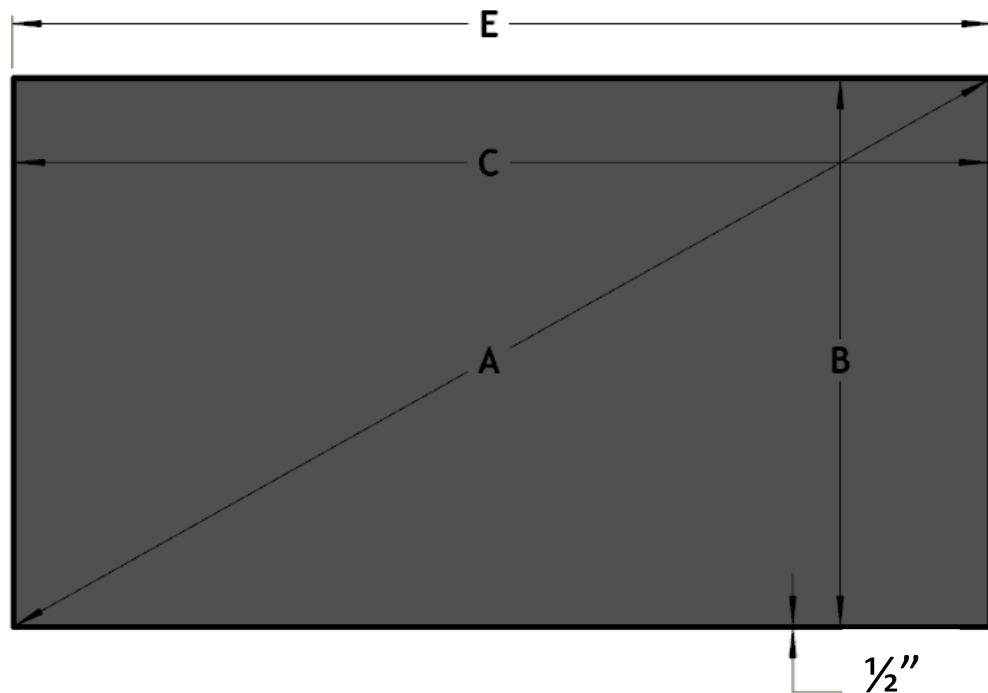


Balon Edge 16:9 Format

Diagonal (A)	Image Height (B)	Image Width (C)	Overall Height (D)	Overall Width (E)	Screen Weight
100"	49"	87"	50"	88"	40 lbs
110"	54"	96"	55"	97"	45 lbs
120"	58.75"	104.5"	59.75"	105.5"	50 lbs
133"	65"	116"	66"	117"	55 lbs
150"	73.5"	130.75"	74.5"	131.75"	65 lbs
160"	78.25"	139.5"	79.25"	140.5"	70 lbs
180"	88.25"	157"	89.25"	158"	85 lbs
200"	98"	174.25"	99"	175.25"	100 lbs



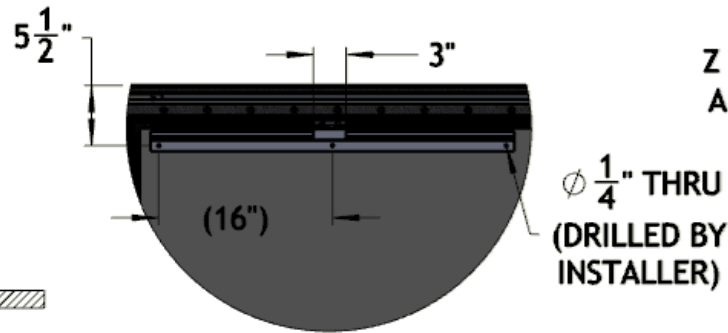
SIDE VIEW



FRONT VIEW

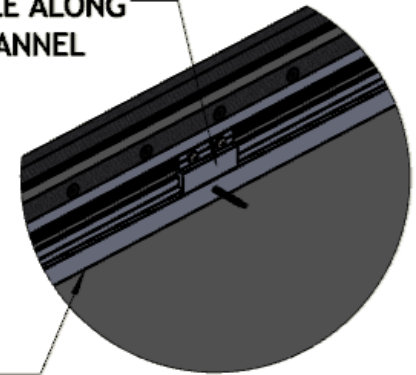
BORDER WIDTH

Diagonal	Hanging Bar Length (F)
100"	1X @ 49.5"
110"	2X @ 33.5"
120"	2X @ 33.5"
133"	2X @ 33.5"
150"	2X @ 33.5"
160"	2X @ 33.5"
180"	2X @ 33.5"
200"	2X @ 33.5"

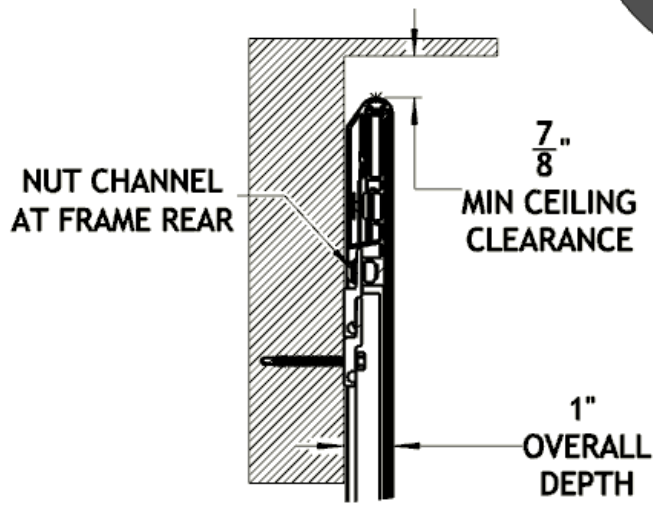


Z BRACKET POSITION
ADJUSTABLE ALONG
NUT CHANNEL

$\phi \frac{1}{4}$ " THRU
(DRILLED BY
INSTALLER)



ISO DETAIL A

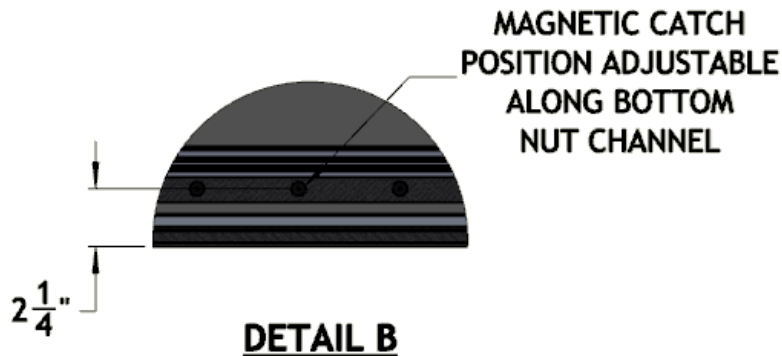


NUT CHANNEL
AT FRAME REAR

$\frac{7}{8}$ "
MIN CEILING
CLEARANCE

1"
OVERALL
DEPTH

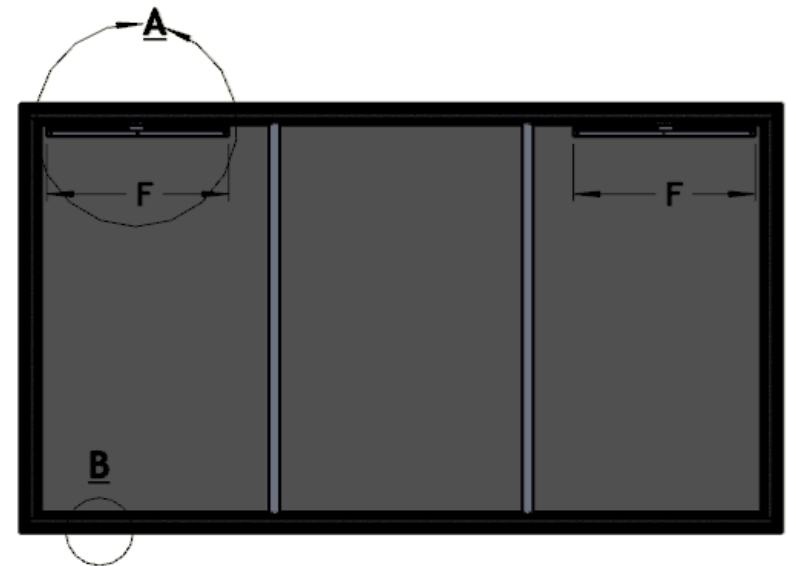
DETAIL C



MAGNETIC CATCH
POSITION ADJUSTABLE
ALONG BOTTOM
NUT CHANNEL

$2\frac{1}{4}$ "

DETAIL B



BACK VIEW